



**Holstaal BV**  
 Vierlinghstaat 10  
 4251 LC Werkendam  
 Tel (+31) 183-679860  
 Fax (+31) 183-678400

**Heleon BV**  
 Van der Waalsweg 13  
 3241 ME Middelharnis  
 Tel (+31) 187-489606  
 Fax (+31) 187-489863

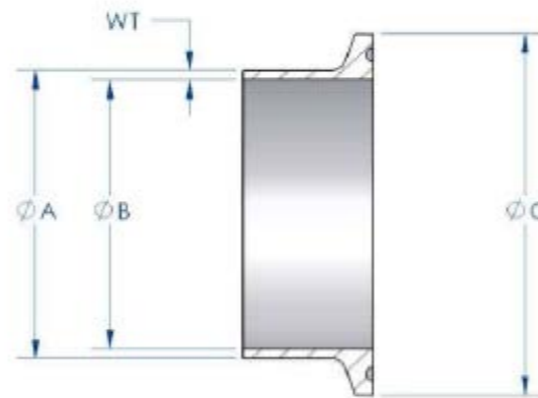
**Heproflex BV**  
 Van der Waalsweg 13  
 3241 ME Middelharnis  
 Tel (+31) 187-890909  
 Fax (+31) 187-489863

**PMA-Heleon NV**  
 Boomsesteenweg 12/8  
 B-2630 Aartselaar (België)  
 Tel (+32) 3 641 42 33  
 Fax (+32) 3 641 42 34

[www.heleon-group.com](http://www.heleon-group.com)

**OVERZICHT VEEL GEBRUIKTE TRI-CLAMP FERRULES**

DIN 32676					
Nominaal	Baureihe 1	"C"	Baureihe 2	"C"	"C" **
DN10	12,0 x 1,0	34,0mm.	13,0 x 1,5	34mm.	
DN15	18,0 x 1,0	34,0mm.	19,0 x 1,5	34mm.	
DN20	22,0 x 1,0	34,0mm.	23,0 x 1,5	34mm.	
DN25	28,0 x 1,0	50,5mm.	29,0 x 1,5	50,5mm.	
DN32	34,0 x 1,0	50,5mm.	35,0 x 1,5	50,5mm.	
DN40	40,0 x 1,0	50,5mm.	41,0 x 1,5	50,5mm.	
DN50	52,0 x 1,0	64,0mm.	53,0 x 1,5	64,0mm.	
DN65			70,0 x 2,0	91,0mm.	
DN80			85,0 x 2,0	106,0mm.	
DN100			104,0 x 2,0	119,0mm.	
DN125			129,0 x 2,0	155,0mm.	144,4mm.
DN150			154,0 x 2,0	183,0mm.	167,0mm.
DN200			204,0 x 2,0	233,5mm.	217,4mm.
DN250**			254,0 x 2,0	268,0mm.	
DN300**			304,0 x 2,0	319,0mm.	



INCH ZUIVEL (NORM??)		
Nominaal	Maat	"C"
1"	25,4 x 1,25	50,5mm.
1.1/4"	31,8 x 1,25	50,5mm.
1.1/2"	38,1 x 1,25	50,5mm.
	38,1 x 1,50	50,5mm.
2"	50,8 x 1,25	64,0mm.
	50,8 x 1,50	64,0mm.
2.1/2"	63,5 x 1,50	91,0mm.
3"	76,1 x 1,50	91,0mm.
	76,1 x 2,00	91,0mm.
4"	101,6 x 1,50	119,0mm.
	101,6 x 2,00	119,0mm.

ISO 1127				
Nominaal	Maat	"C"	"C" **	"C" ***
DN8	13,5 x 1,6	25,4mm.	34,0mm.	50,5mm.
DN10	17,2 x 1,6	25,4mm.	34,0mm.	50,5mm.
DN15	21,3 x 1,6	50,5mm.	34,0mm.	
DN20	26,9 x 1,6	50,5mm.		
DN25	33,7 x 1,6*	50,5mm.		
DN25	33,7 x 2,0	50,5mm.		
DN32	42,4 x 2,0	64,0mm.	50,5mm.	
DN40	48,3 x 2,0	64,0mm.		
DN50	60,3 x 2,0	77,5mm.		
DN65	76,1 x 2,0	91,0mm.		
DN80	88,9 x 2,3	106,0mm.		
DN100	114,3 x 2,3	130,0mm.		
DN125	139,7 x 2,6	91,0mm.		
DN150	168,3 x 2,6	91,0mm.		

ASME BPE (Imperial)			
Nominaal	Maat		"C"
1/4"	6,53 x 0,89	20 Gauge	25,4mm.
3/8"	9,53 x 0,89	20 Gauge	25,4mm.
3/8"	9,53 x 1,22	18 Gauge	25,4mm.
1/2"	12,7 x 1,65	16 Gauge	25,4mm.
3/4"	19,05 x 1,65	16 Gauge	25,4mm.
1"	25,4 x 1,65	16 Gauge	50,5mm.
1.1/2"	38,1 x 1,65	16 Gauge	50,5mm.
2"	50,8 x 1,65	16 Gauge	64,0mm.
2.1/2"	63,5 x 1,65	16 Gauge	77,5mm.
3"	76,2 x 1,65	16 Gauge	91,0mm.
4"	101,6 x 2,11	14 Gauge	119,0mm.
6"	152,4 x 2,77	12 Gauge	167,0mm.

BS 4825-3		
Nominaal	Maat	"C"
1/2"	12,7 x 1,6	25,4mm.
3/4"	19,05 x 1,6	25,4mm.
1"	25,65 x 1,73	50,5mm.
1.1/2"	38,35 x 1,73	50,8mm.
2"	51,05 x 1,73	64,0mm.
2.1/2"	63,75 x 1,73	77,5mm.
3"	76,45 x 1,73	91,0mm.
3.1/2"	88,9 x 2,10	106,0 mm.
4"	101,85 x 2,13	119,0mm.
4.1/2"	114,95 x 2,33	130,0mm.
5"	127,00 x 2,00	144,4mm.
5.1/2"	140,55 x 2,40	155,0mm.
6"	154,0 x 2,00	167,0mm.
6.5/8"	169,35 x 3,13	183,0mm.
8"	204,0 x 2,00	217,4mm.
8.5/8"	220,55 x 3,33	233,5mm.
10"	254,0 x 2,00	268,0mm.
10.5/8"	273,0 x 3,35	286,1mm.
12"	304,8 x 2,00	319,0mm.
12.5/8"	323,8 x 3,95	338,0mm.

\* Niet vaak gebruikt  
 \*\* Afwijking van standaard  
 \*\*\* Afwijking van standaard