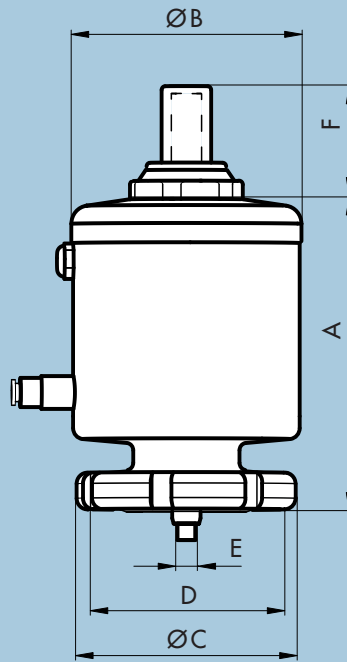


NovAseptic® Valve Pneumatic Plastic Actuator, Normally Closed, NC

Catalogue Number PA##/111

Pneumatic Plastic Actuator, Normally Closed, NC Configuration



Nominal Dimensions in mm (in.)

PA##	A	B	C	D*	E	F	Compatible Valve Body	
							NA##	NU###
PA12	74.5 (2.933)	49.0 (1.929)	47.0 (1.850)	TR40x2	M5	31.0 (1.220)	NA12	NU050
PA18	85.0 (3.346)	65.0 (2.559)	62.0 (2.441)	TR55x2	M5	31.0 (1.220)	NA18	NU075
PA25	105.1 (4.138)	88.0 (3.465)	84.0 (3.307)	TR75x2	M6	31.0 (1.220)	NA25	NU100
PA38	110.6 (4.354)	101.0 (3.976)	94.0 (3.701)	TR85x2	M6	31.0 (1.220)	NA38	NU150
PA51	155.4 (6.118)	117.0 (4.606)	119.0 (4.685)	TR109x2	M6	31.0 (1.220)	NA51	NU200

* Note: Non-standard thread, Actuator specific.

Specifications

Net Weight (approximate)

Actuator	PA12	PA18	PA25	PA38	PA51
Weight kg (lb)	0.3 (0.66)	0.7 (1.5)	1.5 (3.31)	2.2 (4.85)	4.4 (9.70)

Material

	Cover Stainless Steel / Plastic in Compliance with		Indicator Plastic in Compliance with
Material Code	EN 1.4305 / POM C	ASTM® 303 / POM C	POM C

Design Pressure

		PA12	PA18	PA25	PA38	PA51
Max	bar(g)	6.0	6.0	6.0	6.0	6.0
	(psi(g))	(87)	(87)	(87)	(87)	(87)
Min	bar(g)	-1.0	-1.0	-1.0	-1.0	-1.0
	(psi(g))	(-14)	(-14)	(-14)	(-14)	(-14)

Air Feed Pressure

		PA12	PA18	PA25	PA38	PA51
Max	bar(g)	7.0	7.0	7.0	7.0	7.0
	(psi(g))	(101)	(101)	(101)	(101)	(101)
Min	bar(g)	5.5	5.5	5.5	5.5	5.5
	(psi(g))	(80)	(80)	(80)	(80)	(80)
Pneumatic Fast Fitting	mm (in.)	4 (0.16)	4 (0.16)	6 (0.24)	6 (0.24)	6 (0.24)

Specifications

Surface Roughness:	External surface $Ra \leq 1.6\mu\text{m}$ ($63\mu\text{in}$)
Environment Temperature:	0 to 70 °C (32 to 158 °F)
Note!	The applied valve body and diaphragm may have different design temperature and/or pressure limits. The weakest component in the assembled product determines the maximum design temperature and pressure limits.
Labeling:	Each Actuator is labeled for full LOT traceability according to Millipore QA routines.
Packaging:	The Actuator is packaged in a closed box.
Quality Control:	Millipore Quality Assurance System guarantees the control and traceability of the product.
Options:	For non-standard NovAseptic Actuator Options, please contact Millipore for further information.

To Place an Order or Receive Technical Assistance

For additional information call your nearest Millipore office or visit us at www.millipore.com. In the U.S. and Canada, call toll-free 1-800-MILLIPORE (1-800-645-5476). In the U.S., Canada and Puerto Rico, fax orders to 1-800-MILLIFX (1-800-645-5439).

MILLIPORE

Millipore and NovAseptic are registered trademarks of Millipore Corporation or an affiliated company. ASTM is a registered trademark of the American Society for Testing and Materials. Specifications subject to change without notice. Lit. No. SP1128EN00 Rev. -, 09/2006. Replaces DS-073 © 2006 Millipore Corporation. All rights reserved.