

PRESSURE REDUCING VALVE Clean Steam P-160

DESCRIPTION

The ADCA P-160 series **direct acting, spring-loaded diaphragm sensing**, pressure reducing valves, are designed for use on clean steam, compressed air, water and other gases or liquids compatible with the materials of construction .

MAIN FEATURES

Compact design.
Completely machined from barstock material, no castings or forgings used on the standard version.
No rising stem

STANDARD SURFACE FINISH

Internal wetted parts: 0,5 microns Ra

External :

Body and cover– Fine machined
(mechanical or electro polished as option)

OPTIONS:

Leakage line connection 1/8" (captured vent).
Different soft valves for liquids and gases.
Casted cover (CF8M) with rising stem handwheel for economic reasons.
Lock system, allows clean-in-place (CIP) and sterilization-in-place (SIP) operations with valve in line.

USE:

Clean steam, compressed air, water and other gases and liquids compatible with the construction.

AVAILABLE MODELS:

P-160

SIZES:

DN3/4", 1", 1 1/2", 2" ; DN 20, 25, 40, 50

OUTLET SPRING RANGES:

0,8 – 1,5 bar; 1 – 3 bar; 1,5 – 5 bar.

CONNECTIONS:

Clamp ends or others on request

INSTALLATION:

Horizontal installation. Inlet vertical and horizontal outlet angle connection..

ORDER

REQUIREMENTS:

Type of fluid
Maximum operating temperature
Inlet pressure and required outlet pressure
Capacity (maximum and minimum).



LIMITING CONDITIONS

Valve model	P-160
Body design conditions	PN 16
Max.upstream pressure	8 bar
Max.downstream pressure	5 bar
Min.downstream pressure	0,8 bar
Max.design temperature *	150 °C

*Other on request.

CE MARKING (PED - European Directive 97/23/EC)

PN 16	Category
DN 3/4" to 2"	SEP - art. 3, paragraph3

DIMENSIONS (Clamp conn.)

SIZE DN	A	B	C	D	WGT. Kgs
3/4"-20	85	55	200	130	6,7
1"-25	85	55	200	130	6,8
1 1/2"-40	80	65	210	130	7,6
2"-50	80	70	210	130	7,8

* Different lenghts on request.

Consult factory for certified dimensions

Dimensions subject to change without notice

CAPACITIES

Valve Size	3/4"-20	1"-25	1 1/2"-40	2"-50
KVs (m3/h)	1,3* - 3	3,5* - 4,5	5,3	8,5

*Max.available Kvs with ASME BPE clamp connection

Connection examples

Clamp	Round thread	Flange

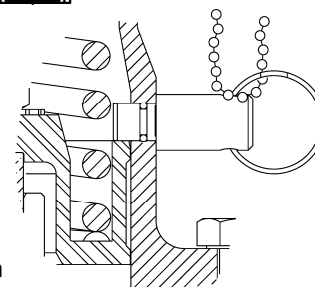
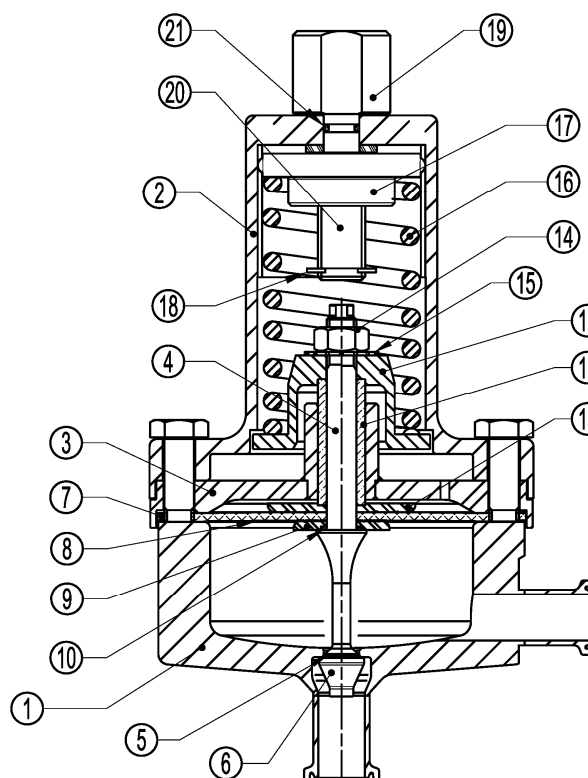
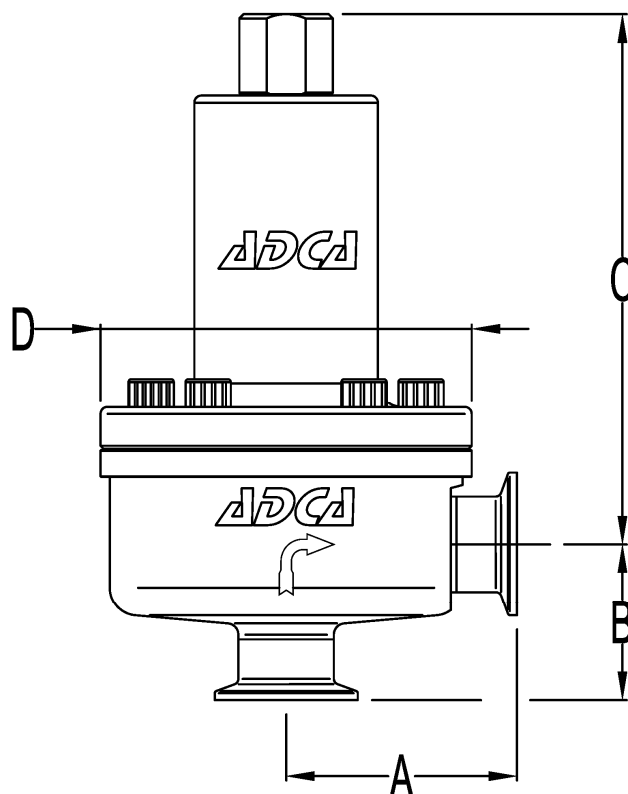
MATERIALS

POS.	DESIGNATION	MATERIAL
1	Valve body	AISI316L / 1.4404
2	Cover	AISI316L / 1.4404
3	Centering plate	AISI316L / 1.4404
4	* Valve stem	AISI316L/1.4404
5	* Soft plug	EPDM; PTFE **
6	* Valve plug	AISI316L / 1.4404
7	* Upper diaphragm	EPDM;VITON**
8	* Lower diaphragm	PTFE
9	Diaphragm plate	AISI316L / 1.4404
10	* O-ring	EPDM
11	Diaphragm plate	AISI316L / 1.4404
12	Stem guide	AISI316 / 1.4401
13	Spring plate	AISI316 / 1.4401
14	Nut	St.Steel A2 - 70
15	Washer	AISI316 / 1.4401
16	* Adjustment spring	AISI 302 / 1.4300
17	Top spring plate	AISI316 / 1.4401
18	Retaining ring	St.Steel A2 - 70
19	Regulating nut	AISI316L / 1.4404
20	Adjustment screw	AISI304 / 1.4301
21	O-ring	EPDM

* Available spare parts; **Others according to the fluid

FDA/USP Class VI seals certificate on request

Remarks: All valves has a serial number. In case of non-standard valves this number must be supplied if spare parts are ordered.



Lock system